

MULTIMEDIA DATA/VIDEO PROJECTORS

*Stylish, Ergonomic Design...
Loaded with cutting-edge
functionality*

NEW Mobile XGA Projector

EX320U

HDMI™
HIGH DEFINITION MULTIMEDIA INTERFACE



For Education



3 Major Functions

1 High-power 1.3x Zoom Lens

The EX320U is equipped with a powerful zoom lens that provides magnification of 1.3x. This enables greater versatility in how far apart the screen and projector can be placed. Now large-screen images can be enjoyed even in small rooms where the throw-distance is restricted.

2 Advanced Network Management

The projector is equipped with a RJ45 terminal for easy network connection and remote control. Compatibility with the software of Crestron Electronics Inc., a world-leading switch manufacturer, is offered, and centralized On/Off control is possible.



3 3D READY – Enjoy the future today

Experience the impact and allure of 3D images. The 3D video content must be in field sequential format and special electronic shutter glasses are required.



More Functions

- 3000lm brightness
- Silent 28dB Operation (Low Mode)
- Wall Screen
- Direct Power Off
- Top-loading lamp*1



Top-loading Lamp

*1: A lamp replacement attachment is included to prevent the lamp from being dropped during replacement.

● Long 5,000hr*2 Lamp Life

*2: When used in Low Mode. Maximum lamp life in standard mode use is 3,500 hours. It's an estimated life time and the lamp is to be shut off upon the arrival. Lamp life refers to the average time required for brightness to be reduced by half, and not the time specified in the warranty. Lamp service life may vary widely depending on the environment and conditions, and whether or not cleaning and other maintenance procedures are followed.

● Stand-by Mode under 1W*3

*3: When LAN control is set to RS-232C, and "Stand-by Audio Out" and "Stand-by Monitor Out" are set to "Off."

● BrilliantColor™*4 (6-segment color wheel) Adopted

*4: BrilliantColor is a trademark of Texas Instruments.

- 18-language On-screen Display Capable
- Closed Caption (CC) Capable
- Dual RGB Input Terminal
- Audio Pass Through

for a greener tomorrow



NEW

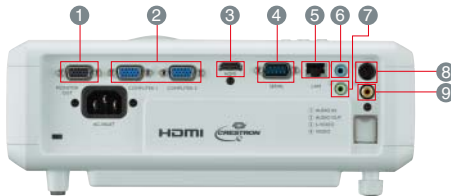


EX320U

Mobile XGA Projector

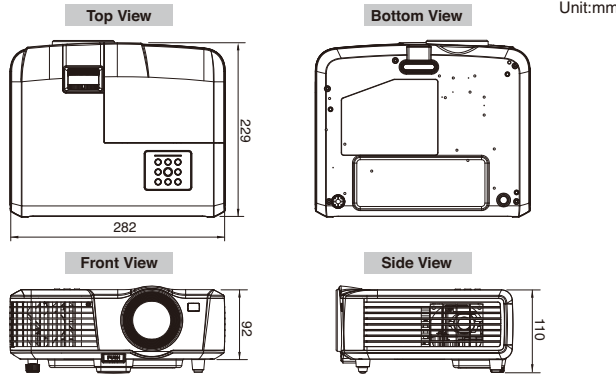
| | | | | | | |
|------------------|----------------|---------------|------------------|----------------|-------------------|---------------------|
| Brilliant Color™ | Wall Screen | Password Lock | Direct Power Off | Long-life Lamp | Low Standby Power | Picture Performance |
| Top Loading Lamp | Closed Caption | Low Fan Noise | LAN (RJ-45) | HDMI | | User Friendly |

Input and Output Terminals



- 1 Monitor output
- 2 PC/Component video input
- 3 HDMI
- 4 Serial RS-232C
- 5 LAN (RJ-45)
- 6 Audio input
- 7 Audio output
- 8 S-Video
- 9 Video

Dimensions

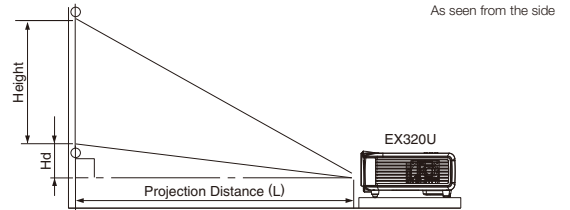


Specifications

| | |
|------------------------|--|
| Model | EX320U |
| Display Technology | 0.55" 1-Chip DMD |
| Resolution | 1024 x 768 (Total 786,432 pixels) |
| Brightness | 3000lm |
| Contrast Ratio | 2000 : 1 |
| Picture Size*1 | 40" - 300" |
| Throw Ratio*1 | 1.5 - 2.0 |
| Source Lamp | 170W (5000hr*2) with Low Mode, 230W (3500hr*2) with Standard Mode |
| PC Compatibility | 640 x 480 - 1600 x 1200, True : 1024 x 768, Sync on Green available |
| Video Compatibility | NTSC / NTSC 4.43 / PAL (including PAL-M, N) / SECAM / PAL-60 Component Video ; 480i/p (525i/p), 576i/p (625i/p), 720p (750p), 1080i/p (1125i/p 60Hz), 1080i/p (1125i/p 50Hz) |
| Input Terminals | RGB ; mini D-sub 15pin x 2 Video ; RCA x 1 + S-VIDEO x 1 Digital ; HDMI*3 x 1 Audio ; Stereo mini jack (ø3.5mm) x 1 |
| Output Terminals | RGB ; mini D-sub 15pin x 1 Audio ; Stereo mini jack (ø3.5mm) x 1 |
| Communication Terminal | Serial; D-Sub 9pin x 1 (RS-232C) LAN ; RJ-45 x 1 |
| Speaker Output | 2W Mono |
| Dimensions (W x H x D) | 282 x 92 x 229 mm / 11.1 x 3.6 x 9.0 inch (Not including protrusion) |
| Weight | 2.5kg / 5.5lbs |
| Power Requirements | AC 100-240V, 50/60Hz |
| Optional Lamp | VLT-EX320LP |

• Compliant with ISO21118-2005
 • All brand names and product names are trademarks, registered trademarks or trade names of their respective holders.
 *1: Actual values may vary slightly from those listed here.
 *2: Lamp service life varies depending on usage environment and maintenance.
 *3: *HDMI, the HDMI Logo, and High-Definition Multimedia Interface are trademarks or registered trademarks of HDMI Licensing LLC in the United States and other countries.

Screen size and Projection distance



Screen size chart (4:3 aspect ratio)

| Diagonal Size | | Screen | | Height (H) | | Distance from screen (L) | | Height projected image (Hd) | | | |
|---------------|-----|--------|-----|------------|-----|--------------------------|----------------|-----------------------------|------|----|----|
| inch | cm | inch | cm | inch | cm | Shortest (Wide) | Longest (Tele) | inch | cm | | |
| 40 | 102 | 32 | 81 | 24 | 61 | 48 | 1.2 | 63 | 1.6 | 2 | 5 |
| 60 | 152 | 48 | 122 | 36 | 91 | 73 | 1.8 | 94 | 2.4 | 3 | 7 |
| 80 | 203 | 64 | 163 | 48 | 122 | 97 | 2.5 | 126 | 3.2 | 4 | 9 |
| 100 | 254 | 80 | 203 | 60 | 152 | 121 | 3.1 | 157 | 4.0 | 5 | 11 |
| 120 | 305 | 96 | 244 | 72 | 183 | 145 | 3.7 | 189 | 4.8 | 5 | 14 |
| 150 | 381 | 120 | 305 | 90 | 229 | 182 | 4.6 | 236 | 6.0 | 7 | 17 |
| 200 | 508 | 160 | 406 | 120 | 305 | 242 | 6.2 | 315 | 8.0 | 9 | 23 |
| 250 | 635 | 200 | 508 | 150 | 381 | 303 | 7.7 | 394 | 10.0 | 11 | 29 |
| 300 | 762 | 240 | 610 | 180 | 457 | 363 | 9.2 | 472 | 12.0 | 14 | 34 |

The above numbers are approximate, and may be slightly different from the actual measurements.

Screen size chart (16:9 aspect ratio)

| Diagonal Size | | Screen | | Height (H) | | Distance from screen (L) | | Height projected image (Hd) | | | |
|---------------|-----|--------|-----|------------|-----|--------------------------|----------------|-----------------------------|------|----|----|
| inch | cm | inch | cm | inch | cm | Shortest (Wide) | Longest (Tele) | inch | cm | | |
| 40 | 102 | 35 | 89 | 20 | 50 | 52 | 1.3 | 68 | 1.7 | 5 | 13 |
| 60 | 152 | 52 | 133 | 29 | 75 | 78 | 2.0 | 102 | 2.6 | 8 | 20 |
| 80 | 203 | 70 | 177 | 39 | 100 | 105 | 2.7 | 136 | 3.5 | 10 | 26 |
| 100 | 254 | 87 | 221 | 49 | 125 | 131 | 3.3 | 170 | 4.3 | 13 | 33 |
| 120 | 305 | 105 | 266 | 59 | 149 | 157 | 4.0 | 204 | 5.2 | 16 | 40 |
| 150 | 381 | 131 | 332 | 74 | 187 | 196 | 5.0 | 255 | 6.5 | 19 | 49 |
| 200 | 508 | 174 | 443 | 98 | 249 | 261 | 6.6 | 340 | 8.6 | 26 | 66 |
| 250 | 635 | 218 | 553 | 123 | 311 | 327 | 8.3 | 425 | 10.8 | 32 | 82 |
| 300 | 762 | 261 | 664 | 147 | 374 | 392 | 10.0 | — | — | 39 | 99 |

The above numbers are approximate, and may be slightly different from the actual measurements.



for a greener tomorrow

Eco Changes is the Mitsubishi Electric Group's environmental statement, and expresses the Group's stance on environmental management. Through a wide range of businesses, we are helping contribute to the realization of a sustainable society.

MITSUBISHI ELECTRIC CORPORATION

HEAD OFFICE : TOKYO BLDG., 2-7-3, MARUNOUCHI, CHIYODA-KU, TOKYO 100-8310, JAPAN

Global.MitsubishiElectric.com/projectors/

MITSUBISHI DIGITAL ELECTRONICS OF AMERICA, INC.

Presentation Products Division

www.mitsubishi-presentations.com

MITSUBISHI ELECTRIC SALES CANADA, INC.

Display & Imaging Solutions Division

www.mitsubishielectric.ca

Revised publication effective Jan. 2011.
 Superseding publication of L-188-0-B8693-B Dec. 2010.
 Specifications are subject to change without notice.