



# MITSUBISHI X80

XGA LCD Ultraportable ColorView™ Projector

## The Better And Brighter Choice In Ultraportable Projector Design.



**7.7 Lbs. Ultraportable**

**True XGA**

**SXGA Maximum**

**1500 ANSI Lumens**

**2000-Hour Lamp Life**

**Exclusive, Award-Winning ColorView**

**Digital Video Interface**

**Data, Video And HDTV-Ready**

With the X80, Mitsubishi is again leading the way with a lighter, brighter and more reliable LCD ultraportable projector for worry-free presentations on the road or in your workplace.

- 1500 ANSI lumens for super bright presentations
- 300:1 contrast ratio for exceptional color depth and clarity
- Compact, lightweight design (7.7 lbs. for ultraportability)
- Polysilicon three-panel LCD system; 1024 x 768 XGA native resolution
- Projects images from 40 inches to 300 inches; suitable for front, rear and ceiling mount installations
- 150-watt SHP lamp with 2000 hour lamp life
- ColorView™ Natural Color Matrix Algorithm for vividly true colors with exceptional accuracy
- Direct access digital keystone correction
- Point-'n-Zoom digital image magnification
- Manually adjustable zoom and focus
- Picture-in-Picture with split screen from 2 sources
- RS-232C communication terminal, 1 for PC, 1 for MAC
- Simple, one-touch auto set-up function; plug and play compatibility supporting one computer and one video input simultaneously
- Accepts S-Video, NTSC, NTSC 4.43, PAL, and SECAM video formats and computer inputs from Apple®, IBM®, and many workstation computers
- Three-year parts & labor warranty, 90-day warranty on the light source, 7-day, toll-free support, plus a 3-year Emergency Roadside Assistance (ERA) program that guarantees free replacement product shipped overnight for next business-day delivery when and where available



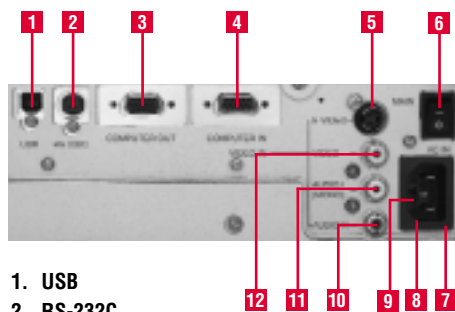
ColorView  
June 2000



PRESENTATION PRODUCTS

# MITSUBISHI X80

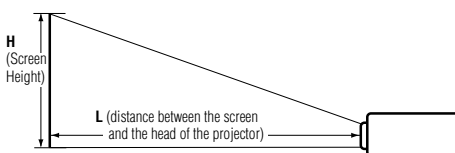
## XGA LCD ULTRAPORTABLE COLORVIEW™ PROJECTOR



1. USB
2. RS-232C
3. Computer Out
4. Computer In
5. S-Video
6. Main Power
7. AC In
8. Power Jack
9. Ground Terminal
10. Audio Input
11. Audio Input
12. Video In



The top panel controls provide full projector and computer control.



### ORIENTATION OF THE PROJECTOR

Picture size can be set by changing the distance between the screen and the projector.

To find the approximate distance between the projector and screen: multiply the width of the screen x 1.9 (min.), multiply the width of the screen x 2.4 (max.)

Refer to the chart for recommended distances in maximum zoom and minimum zoom.

### SPECIFICATIONS

Display Technology	0.9" x 3 Polysilicon LCD panel, new advanced design	
Resolution	True XGA 1024 x 768 with compression for 1280 x 1024 SXGA maximum; 540 video lines	
Brightness (ANSI Lumens)	1500	
Colors	Exclusive Mitsubishi ColorView™ Natural Color Matrix supports 16.7 million colors (32 bits). Red, green, blue, cyan, yellow, magenta axis are independently adjustable.	
Contrast Ratio	300:1	
Lens	F = 1.8 ~ 2.1; f = 36 ~ 47 mm	
Picture Size	40" - 300" diagonal	
Point-n-Zoom Digital Image Magnification	This variable enlargement function allows the section of an image to be magnified for better and clearer viewing.	
Picture-in-Picture	Enables the presentation of images from two separate sources at the same time, and also offers a split-screen view.	
Color Accuracy	Mitsubishi's patented Natural Color Matrix Algorithm reproduces vivid, true color with exceptional accuracy.	
Digital Keystone Correction	Eliminates or minimizes trapezoidal image distortion when projecting at an angle not perpendicular to your screen, corrects up to ±15°; direct access through remote control.	
Lamp	Type: 150-watt SHP lamp; with 2000 hours lamp life (user replaceable)	
Computer Compatibility	PCs, Macintosh® computers, workstations up to 1280 x 1024	
Video Compatibility	NTSC, NTSC 4.43, PAL, PAL M, PAL N, SECAM, PAL 60, component video, HDTV	
Input Terminals	RGB1; mini D-sub 15 pin x 1 Video; RCA x 1 + S-Video x 1 Audio; RCA x 2 (stereo)	
Output Terminals	RGB; mini-D-sub 15 pin x 1	
Communication Terminals	RS-232C x 1 (Direct command is available); DIN8-pin USB terminal for Mouse	
Scanning Rates	H: 15 - 92 kHz; V: 50 - 85 Hz; Dot Clock: maximum 160 MHz	
Audio	1W mono	
USB Mouse Port	USB Mouse is supported for maximum productivity and ease of use	
Remote Control/Laser Pointer	Wireless remote with direct input access. Full projector and computer control with mouse and built-in laser pointer.	
Height Adjuster	One push front leg bar with stabilizers (0 - 7° variable)	
Weight	7.7 lbs. (3.5 kg) Net	
Dimensions (W x H x D)	9.5 x 3.1 x 11.5" (242 x 79 x 294 mm) (excluding legs and lens)	
Power	AC 100 - 240V ±10%, 50/60 Hz	
Power Consumption	230 Watts	
Kensington Lock-Ready	For theft protection	
Safety Approvals	CSA, CSA NRT L/C, FCC Class-A	
Warranty	Three-year parts and labor; 90 days on light source lamp. Also includes three-year Emergency Roadside Assistance program that guarantees free replacement projector shipped overnight for next business day delivery when and where available.	
Accessories	Standard	AC power cable; video cable; audio cable; RGB cable; RS-232C cable; PS2 adapter for RS-232C cable; mouse cursor control for remote unit; laser pointer; lens cap; soft carrying case; and users manual.
	Optional	Spare lamp bulb; ceiling mount kit; MAC adapter; USB cable; and mouse adapter.

For more information on the X80 or any of Mitsubishi's other projectors or presentation products, contact Mitsubishi Digital Electronics today. Detailed technical specifications available upon request.

Projector Part Number: LVPX80

### STANDARD PROJECTION THROW DISTANCE CHART

Diagonal Size (inch)	Screen		Distance from screen (L)/(Approximate)			
	Height (inch)	Width (inch)	Maximum Zoom (cm)	Maximum Zoom (inch)	Minimum Zoom (cm)	Minimum Zoom (inch)
40"	24"	32"	140	55"	184	72"
60"	36"	48"	213	84"	279	110"
80"	48"	64"	286	113"	374	147"
100"	60"	80"	360	142"	469	185"
120"	72"	96"	433	171"	564	222"
140"	84"	112"	506	199"	659	259"
160"	96"	128"	579	228"	754	297"
180"	108"	144"	652	257"	849	334"
200"	120"	160"	725	285"	944	372"
300"	180"	240"	1070	421"	1393	548"

The above numbers are approximate, and may be slightly different from the actual measurements.

©2001 Mitsubishi Digital Electronics America, Inc. Standard features, options and specifications subject to change without notice. Microsoft, Windows, and the Windows logo are registered trademarks of Microsoft Corporation. Mac and the Mac logo are trademarks of Apple Computer, Inc, registered in the U.S. and other countries. All other trademarks or registered trademarks are the property of their respective holders. Brightness can vary up to +/- 20% from typical depending on lamp, operating condition and room lighting.

Printed on 50% recycled paper including 20% post-consumer fibers, processed chlorine free. Printed with vegetable based inks.

Mitsubishi Digital Electronics America, Inc.  
Presentation Products Division  
9351 Jeronimo Road  
Irvine, CA 92618  
Toll Free: 888-880-6351  
www.mitsubishi-presentations.com

Technical Support:  
Toll Free: 888-307-0309  
Email: [tsupport@mdea.me.com](mailto:tsupport@mdea.me.com)

Canada:  
Mitsubishi Electric Sales Canada Inc.  
Information Technologies Group  
Markham, Ontario  
905-475-7728  
www.mitsubishielectric.ca

