
Handles Optional Lenses Too

Besides the standard lens, the WL2650U is also engineered to use various optional lenses. Choose the lens that best fits your installation parameters.



OL-XL2550MZ


NEW PORTABLE WXGA PROJECTOR

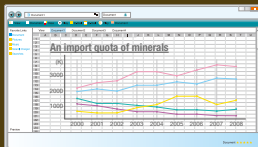
WL2650U

*Optimum installation every time.
The newly evolved WXGA Projector.*

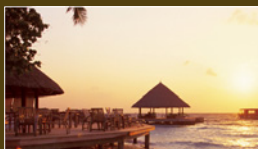
Fully Friendly with Wide Screens

Presenting the WXGA Projector (1280 x 800 dots), finely tuned to screen aspect ratio to support the shift toward wider PC screens. Built with 1.3-times the display area of conventional XGA projectors, making it fully compatible with wide screens, the WXGA purges any need for left-right screen scrolling.

Depending on the application, screen two windows at once, such as the menu and preview domains, in even greater presentation might. DVD images may also be replayed as-is, free of compression.



Display different windows side by side, banishing the idea of left-right scrolling.



Wide-screen broadcasts in all their natural glory.

Quiet Fan Noise

Fan noise is barely perceptible at 29dBA (at "Lamp Low" mode). Your assurance of clear and quiet presentations, even in cramped room conditions.

Noise Level Examples

Quiet house late at night	Whispering voices	Daytime residential district
29dBA	30 - 40dBA	40dBA and above

Long Life Lamp ~ Maximum 4,000 hours

Supported by our optimum design for light source lamp temperature control, maximum light source lamp use soars to 4,000 hours.*² This makes dramatic reductions in running cost, while likewise slashing replacement hassle for the light source lamp as a consumable part.*²

Lamp Replacement Frequency* ²	* ² (1): When used at the low lamp mode. Maximum lamp life at standard mode use is 2,000 hours. (2): Lamp life refers to the average time required for brightness to be reduced by half, and not the time specified in the warranty. Use time may vary widely by the environment and conditions, and whether or not cleaning and other maintenance procedures are followed.	
	Mounted lamp	1st replacement
2,000-hour lamp	2,000 hours	4,000 hours
4,000-hour lamp	4,000 hours	4,000 hours

Lamp Side Replacement

The lamp may be removed from the side of the projector unit. This simplifies replacement without turning the projector around or over when suspended from the ceiling or resting on a shelf.


Security Anchor

A robust key-lock chain may be passed through the projector hook. This reliable anti-theft measure helps prevent unauthorized removal of the projector unit from the premises.



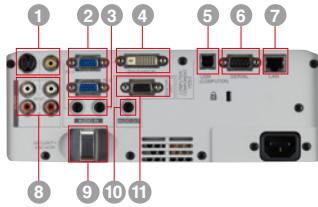
Note: Mitsubishi Electric cannot accept responsibility for thefts occurring despite use of this safety feature.



PORTABLE WXGA PROJECTOR WL2650U

Input and Output Terminals

Enhanced terminal group realizes a versatile range of presentations.



- 1 S-Video / Video input
- 2 PC / Component Video input (mini D-sub 15pin)
- 3 PC / Audio input
- 4 DVI-D (with HDCP) input
- 5 USB terminal for mouse control
- 6 Serial RS-232C (D-sub 9pin)
- 7 LAN (RJ-45)
- 8 Video / Audio input
- 9 Security Anchor
- 10 Audio output
- 11 Monitor output

Options

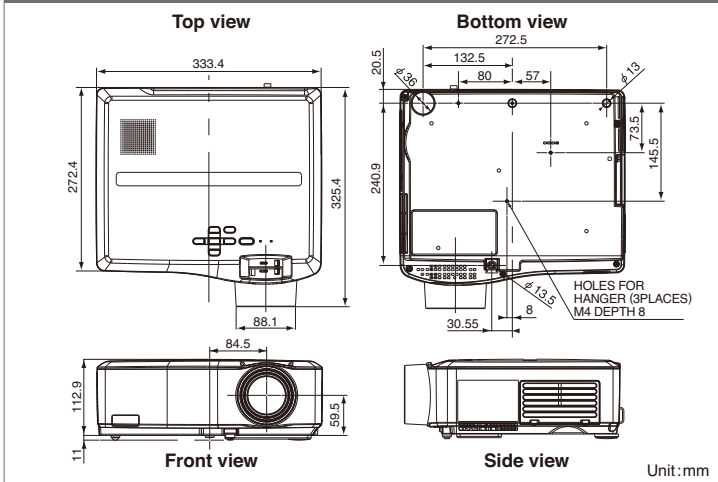
Replacement lamp
VLT-XL650LP



Option Lens Line-up

Model	Short Throw Zoom Lens OL-XL2550MZ	Long Throw Zoom Lens OL-XL2550LZ	Tele Throw Zoom Lens OL-XL2550TZ
Zoom / Focus	Manual (1.3x)	Manual (1.5x)	Manual (1.5x)
Projection Lens	f=29-37mm F1.7-2.0	f=32-48mm F2.2-2.8	f=48-74mm F2.2-2.7

Dimensions



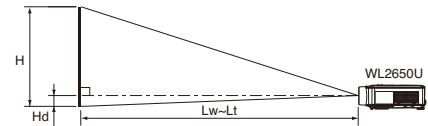
Specifications

Model	WL2650U
Display technology	0.75" 3-LCD (with Micro Lens)
Resolution	1280x800 (total 1,024,000 pixels)
Brightness	3500lm
Contrast	600 : 1 (on/off)
Projection lens	f=24-29mm, F1.7-1.9
Throw ratio	1.47-1.77
Offset axis	40up : 1down (No variable lens shift)
Picture Size	40"~300" (100"=3.2~3.8m)
Source lamp	220W (Shut Off Time 4000Hrs) with Low Mode 261W (Shut Off Time 2000Hrs) with Standard Mode
Computer compatibility	640x480 ~ 1920x1080 True: 1280x800, Sync on green available
Video compatibility	NTSC/NTSC4.43/PAL(including PAL-M, N)/SECAM/PAL-60, Component Video: 480i/p(525i/p), 576i/p(625i/p), 720p(750p 50/60Hz), 1080i(1125i 50/60Hz), 1080p(1125p 50/60Hz), SCART(RGB+1V sync)
Digital keystone	Vertical: MAX +/- 35 deg, Horizontal: MAX +/- 25 deg
PC input terminals	PC: Mini D-sub 15pinx2, DVI-D(with HDCP)x1, Audio: Stereo mini(φ3.5)x2
Video input terminals	Video: RCAx1, S-VIDEOx1, Audio: RCA(L,R)x2
Output terminals	Monitor Out: Mini D-sub 15pinx1, Audio: Stereo Mini(φ3.5)x1
Communication terminals	LAN(RJ-45)x1(for projector control), RS-232C(D-Sub 9pin)x1, USB terminalx1(for mouse control)
Audio speaker	3W mono
Dimension(WXHXD)	333x113x272mm / 13.0x4.5x10.7inch (excluding height adjustment)
Weight	4.7kg / 10.4lbs
Power supply	AC100 - 240V, 50/60Hz
Optional lamp	VLT-XL650LP

* BrightEra and **BrightEra** are trademarks of Sony corporation. *Compliance with ISO21118-2005.
*All brand names and product names are trademarks, registered trademarks or trade names of their respective holders.

Screen size and Projection distance

As seen from the side



Normal Lens / Screen size chart (WXGA)

Screen		Distance from screen (L)				Height projected image (Hd)	
Diagonal size	Width (W)	Height (H)		Maximum Zoom	Minimum Zoom	Height projected image (Hd)	
inch	cm	inch	cm	inch	cm	inch	cm
40	102	34	86	21	54	49	1.2
60	152	51	129	32	81	74	1.9
80	203	68	172	42	108	100	2.5
100	254	85	215	53	135	125	3.2
150	381	127	323	79	202	189	4.8
200	508	170	431	106	269	252	6.4
250	635	212	538	132	337	315	8.0
300	762	254	646	159	404	379	9.6

Option Lens / Screen size chart (WXGA)

Screen		OL-XL2550MZ				OL-XL2550LZ				OL-XL2550TZ			
Diagonal size	Width (W)	Height (H)	Distance from screen (L)		Height projected image (Hd)	Distance from screen (L)		Height projected image (Hd)	Distance from screen (L)		Height projected image (Hd)	Distance from screen (L)	
			Maximum Zoom	Minimum Zoom		Maximum Zoom	Minimum Zoom		Maximum Zoom	Minimum Zoom		Maximum Zoom	Minimum Zoom
inch	cm	inch	cm	inch	cm	inch	cm	inch	cm	inch	cm	inch	cm
40	102	34	86	21	54	58	1.5	75	1.9	0.5	1	-	-
60	152	51	129	32	81	89	2.3	114	2.9	0.8	2	97	2.5
80	203	68	172	42	108	119	3.0	152	3.9	1.1	3	130	3.3
100	254	85	215	53	135	149	3.8	191	4.9	1.3	3	163	4.2
150	381	127	323	79	202	224	5.7	287	7.3	2.0	5	246	6.3
200	508	170	431	106	269	300	7.8	384	9.8	2.6	7	329	8.5
250	635	212	538	132	337	375	9.5	-	-	3.3	8	412	10.6
300	762	254	646	159	404	453	11.5	-	-	3.9	10	495	12.8

The above numbers are approximate, and may be slightly different from the actual measurements.

MITSUBISHI ELECTRIC CORPORATION
HEAD OFFICE : TOKYO BLDG., 2-7-3, MARUNOUCHI, CHIYODA-KU, TOKYO 100-8310, JAPAN
Global.MitsubishiElectric.com/projectors/

MITSUBISHI DIGITAL ELECTRONICS OF AMERICA, INC.
Presentation Products Division
www.mitsubishi-presentations.com

MITSUBISHI ELECTRIC SALES CANADA, INC.
Information Technologies Group
www.mitsubishielectric.ca