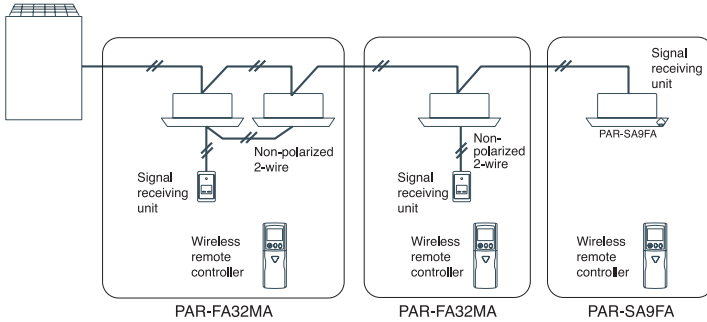


WIRELESS REMOTE CONTROLLER PAR-FL32MA / PAR-FA32MA



Example of system configuration



Correspondence table

	receiver	transmitter
PMFY-P NBMU	PAR-FA32MA	PAR-FL32MA
PLFY-P NCMU /NLMU		
PCFY-P NGMU		
PKFY-P NAMU / NGMU / NFMU		
PEFY-P NEMU / NRMU		
PEFY-P NMHU / NMSU		
PLFY-P NBMU-E	PAR-SA9FA-E	

- No need to configure addresses for group operation.
- Lit LED keeps you informed of operation - blinking even gives you the error code via the number of blinks.
- Can be used with the MA remote controller.
 - *When used in group configurations, wiring between indoor units is required.
 - *Combining ME remote controller and/or LOSSNAY remote controller in a group is not possible.
- LCD temperature setting and display in 1°F /1°C increments.
- Dimensions: 2.28(W) x 6.26(H) x 0.75(D) in.
58(W) x 159(H) x 19(D) mm

